

**LINE:** HAND WRAPPING MACHINE

**MODEL:** TS-500



USE	SPECIFICATIONS	
<b>Ideal for wrapping meat, cheese and other items</b>	Model	TS 500
	Construction	Stainless steel
	Width	52 cm / 20.5" IN
	Depth	65 cm / 25.6" IN
	Height	11 cm / 4.3" IN
	Weight (With no roll)	6.4 kg / 14 lb
	Fuse	2 Amp
	Volts	115 / 60

**BENEFITS**

- \* Hygiene and excellent presentation for your products
- \* Easy to use
- \* Practical and portable, designed to sit on a table
- \* Roll adjustment
- \* Heated teflon plate

**LINE:** HAND WRAPPING MACHINE

**MODEL:** TS-500

**BENEFITS**



**SAVINGS**

Optimize film with its film adjusting control



**HYGIENE AND EXCELLENT PRODUCT PRESENTATION**

Your products will have an excellent and hygienic presentation for its comercialization.

**SPECIFICATIONS**

Model	TS 500
Construction	Stainless steel
Film Roll*	Up to 18" width (Not included)
Weight (without roll)	6.4 Kg / 14 lb
Fuse	2 Amp
Voltage	115/60

\* Holds different film roll sizes, 45 cm/ 17.8", 38cm/15", 35cm/14" & 30 cm/12" width



The hand wrapping machine TS-500 model allows a hygienic product presentation and keeps products dust-free.



**PRACTICAL AND PORTABLE**

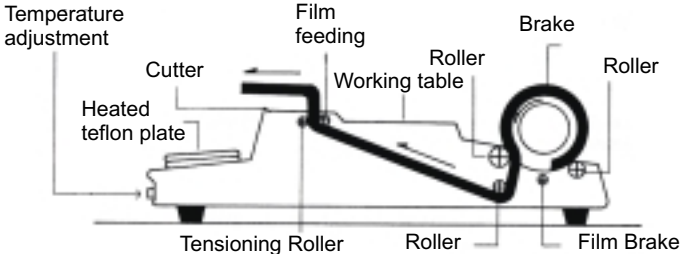
Practical light-weight design to sit on a table and its indicator lights (power on, cutter and heated plate) alert the user about the elements in operation avoiding accidents.



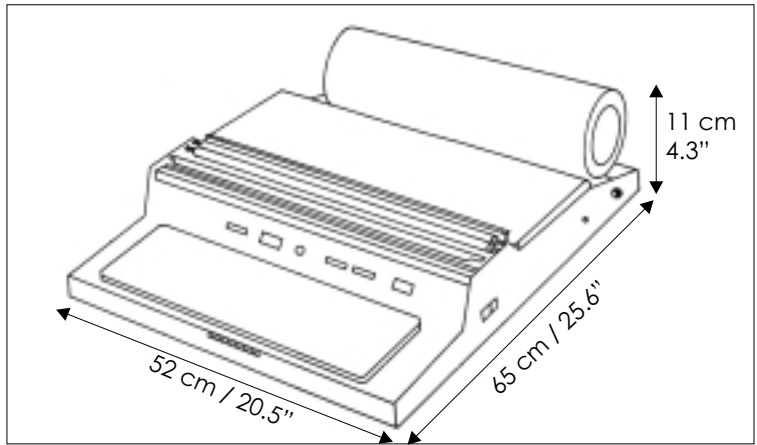
**TEMPERATURE CONTROL OF HEATED TEFLON PLATE**

It allows to adjust the plate temperature for a better sealed packaging

**EQUIPMENT DIAGRAM**



**DIMENSIONS**



Holds film rolls 30cm/12", 35 cm/14", 38 cm/15" or up to 45cm/ 17.8" width, 50 & 55 caliber.



Note: Rolls Sold separately



[www.thescaleshop.net](http://www.thescaleshop.net)

1-888-844-2031