

**Made in Italy for**

# ALFA

**INTERNATIONAL CORPORATION**

## **ALFA 300SS 3/4 HP** **CONTINUOUS FEED / COMMERCIAL FOOD PROCESSOR**



### **ALFA 300SS 3/4HP - FOOD PROCESSOR** 550W / 120V / 60HZ — 1PHASE

- ~ DESIGNED FOR USE IN RESTAURANTS, BARS, CATERERS & DELICATESSENS
- ~ SLICES, SHREDS, GRATES, JULIENNES & DICES A BROAD VARIETY OF FRUIT, VEGETABLES & CHEESES



Certification Conforms to



NSF std. 002 & 008



UL std. 763 &



Std. C22.2



5-15P

- ~ CONTINUOUS FEED / FOOD PROCESSOR COMES WITH A CHOICE OF 3\* DISCS
- ~ CONSTRUCTION: NO PLASTICS USED, ALL STAINLESS STEEL & ANODIZED ALUMINUM BODY ENSURES DURABILITY / RELIABILITY.
- ~ MOTOR: **FAN COOLED 3/4 HP (550W)** ENSURES EXTENDED PRODUCT LIFE, UNINTERRUPTED PRODUCTION & IMPROVED PERFORMANCE.
- ~ YIELD: UP TO 100 — 400 LBS. / HOUR
- ~ DISC SPEED: **300 RPMs**
- ~ NEMA # : 5-15 P
- ~ EQUIPPED WITH A DUAL INTERLOCK SAFETY SYSTEM. 1ST INTERLOCK SWITCH STOPS UNIT WHEN FEED LEVER IS LIFTED. 2ND INTERLOCK SWITCH DISABLES UNIT WHEN IMPELLER COVER IS NOT IN PLACE OR OFF.
- ~ STAINLESS STEEL COVER IS REMOVABLE & DISHWASHER SAFE.
- ~ ETL LISTED & CERTIFIED
- ~ WARRANTY: 1 YEAR PARTS & LABOR
- ~ **21** FOOD PROCESSING DISCS AVAILABLE.
- ~ PUSHER IS HYGIENIC ABS PLASTIC

# ALFA 300SS 3/4 HP

## CONTINUOUS FEED / COMMERCIAL FOOD PROCESSOR

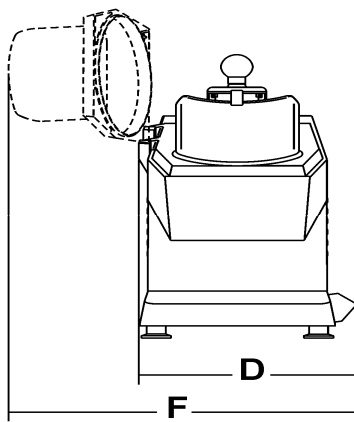
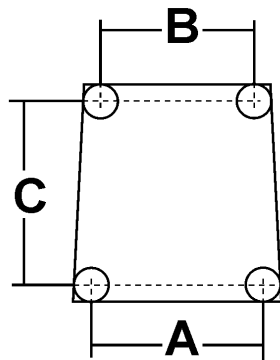
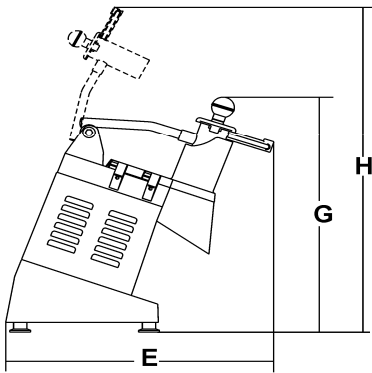
### Product Specifications

- A:** 10" (225 mm)
- B:** 7 5/8" (195 mm)
- C:** 10" (255 mm)
- D:** 11" (280 mm)
- E:** 20 1/8" (510 mm)
- F:** N / A
- G:** 20 1/8" (510 mm)
- H:** 30 3/8" (770 mm)

- Net Weight:** 44 lbs. (20 kg)
- Shipping Weight:** 52 lbs. (24 kg)
- Shipping Dimensions:** 28 3/8" x 19 3/4" x 16 3/4"

*\* Specifications may change without notice*

*\* DD8, DD10 & DD20 Dicing Discs works with SD6, SD7 & SD9 Slicing Discs only.*



### JULIENNE DISCS



#### Stainless Steel Julienne Discs

- JD 4 (5/32")    JD 6 (7/32")
- JD 8 (5/16")    JD 10 (3/8")

### DICING DISCS



#### Stainless Steel Dicing Discs

- DD 8 (5/16")    DD 10 (3/8")
- DD 20 (13/16")

#### SS Grating / Shredding Discs

- DS1 (1/16")    DS3 (5/64")
- DS3 (1/8")    DS4 (5/32")
- DS5 (9/32")    DS6 (11/32")



### GRATING & SHREDDING DISCS



#### Stainless Steel Slicing Discs

- SD1 (1/16")    SD2 (5/64")
- SD3 (1/8")    SD4 (5/32")
- SD5 (3/16")    SD6 (5/16")
- SD7 (3/8")    SD8 (9/16")

### SLICING DISCS

