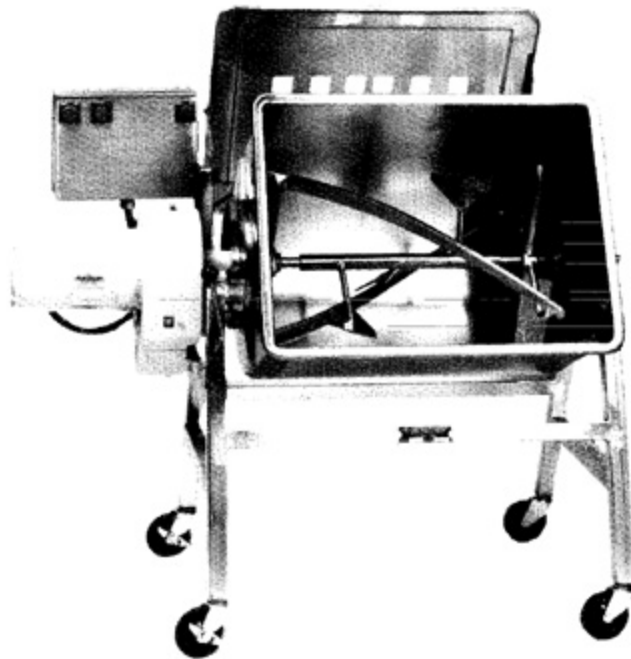


**Our double feature  
is action-packed.**



**The Leland Southwest Double Action™ Mixer**

Get twice the action with half the effort – put Leland Southwest's Double Action Mixer to work for you. From the most delicate potato salad to the heaviest summer sausage, our patented Double Action paddles give you a thorough and even mix quickly and consistently – in less than three minutes. Stainless steel tank tilts to make unloading, cleanup and maintenance easier.

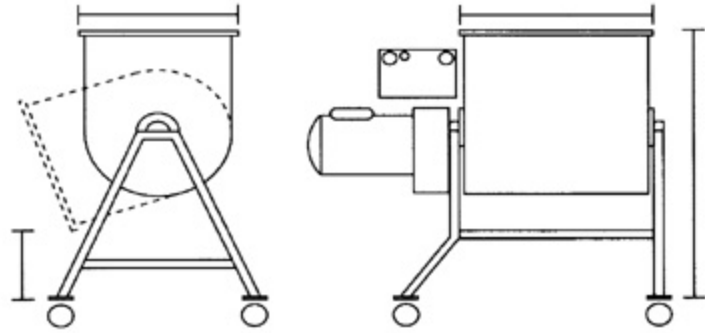


# Double Action Mixer Series

Our Leland Southwest Double Action Mixers stand out by blending in – quickly and consistently, time after time.

## Design Features

- Exclusive Double Action paddles
- Efficient, totally enclosed gear box
- Jog control for easy unloading
- Polished 304 stainless steel construction
- Removable inner paddles
- Tank tilts for easy unloading
- Rolls on four-inch casters



## Specifications for Mixer

	100DA70			200DA70			1200DA70		
Overall Capacity*	110 lb.	(50 kg)	120 qt.	220 lb.	(100 kg)	170 qt.	220 lb.	(100 kg)	170 qt.
Overall Width	22 in.	(559 mm)		24 in.	(610 mm)		24 in.	(610 mm)	
Overall Length	47 in.	(1,194 mm)		52 in.	(1,321 mm)		52 in.	(1,321 mm)	
Overall Height	38 in.	(965 mm)		44 in.	(1,117 mm)		44 in.	(1,117 mm)	
Tank Width	16 in.	(406 mm)		19 in.	(483 mm)		19 in.	(483 mm)	
Tank Length	24 in.	(610 mm)		26 in.	(660 mm)		26 in.	(660 mm)	
Tank Depth	20 in.	(508 mm)		23 in.	(584 mm)		23 in.	(584 mm)	
Dump Height	14 in.	(356 mm)		16 in.	(406 mm)		16 in.	(406 mm)	
Motor	.5 HP	115 v		1 HP	230 v		2 HP	230 v	
	1 PH	60 Hz		3 PH	60 Hz		3 PH	60 Hz	
Weight	200 lb.	(91 kg)		270 lb.	(123 kg)		340 lb.	(155 kg)	
Outer Paddle Speed		26 RPM			26 RPM			25 RPM	
Inner Paddle Speed		24 RPM			25 RPM			23 RPM	

\* May vary according to product consistency

## Other Motors Available On Special Order :

.5 HP 230 v 3 PH 60 Hz	1 HP 220 v 1 PH 50 Hz	2 HP 380 v 3 PH 50 Hz
.5 HP 230 v 1 PH 60 Hz	1 HP 380 v 3 PH 50 Hz	2 HP 460 v 3 PH 60 Hz
.5 HP 220 v 1 PH 50 Hz	1 HP 220 v 3 PH 50 Hz	
	1 HP 230 v 1 PH 60 Hz	

## Safety Features of the Leland Southwest Mixer

- Safety switch shuts off if cover is raised.
- Easily accessible emergency stop button immediately shuts off unit.



[www.thescaleshop.net](http://www.thescaleshop.net)

1-888-844-2031