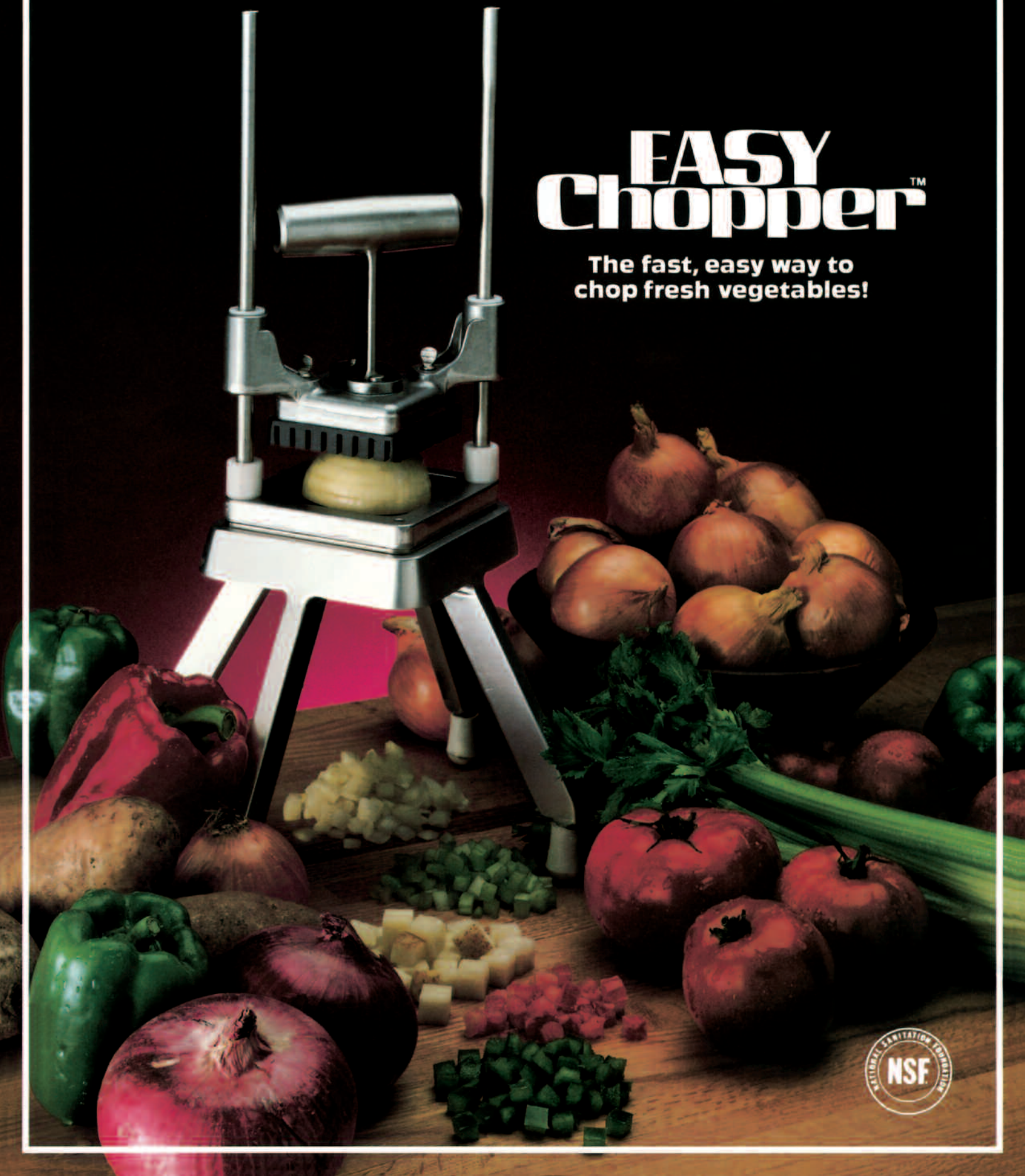


Only from NEMCO!

EASY Chopper™

The fast, easy way to
chop fresh vegetables!



EASY Chopper™

The fast and easy way to chop onions and other vegetables!

Versatile!
Cuts! Chops! Dices!

- onions • tomatoes • potatoes
- celery • peppers

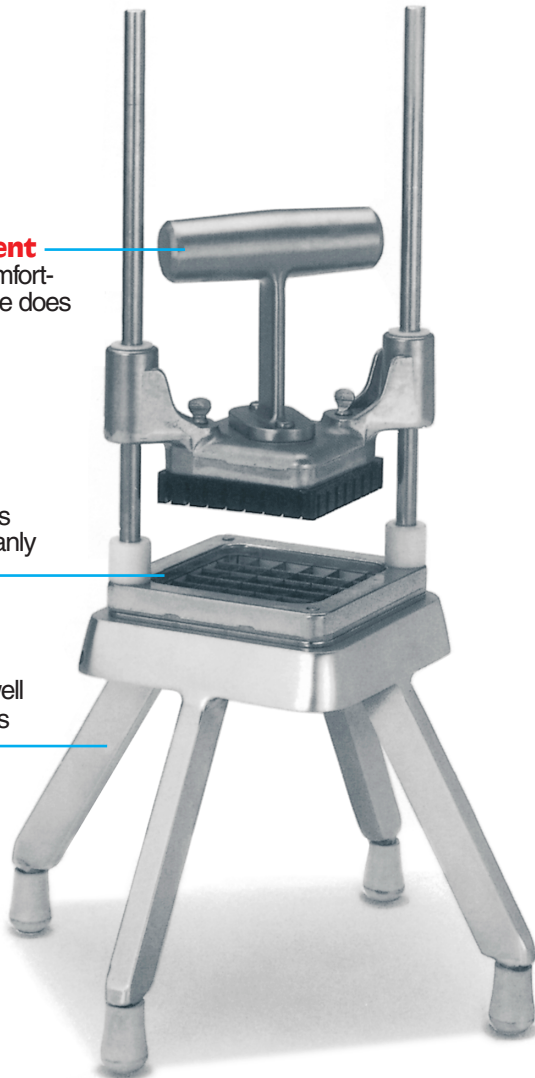
You're just seconds from offering the goodness of freshly chopped produce!



• **The fast, efficient way to chop** - Comfortable, weighted handle does most of the work.

• **Precision cuts!** Stainless steel blades stay sharp to cut cleanly with one stroke.

• **Sturdy base** is well balanced on four legs with non-skid feet.



Cutting grids:

The Easy Chopper is available in three different models #N55500-1 with a 1/4" cutting grid, N55500-2 with a 3/8" cutting grid or #N55500-3 with a 1/2" cutting grid. The cutting grids are interchangeable and may be purchased separately.

Easy Chopper works for years!

Like all NEMCO products, the Easy Chopper is designed, engineered and built to provide years of reliable service. Metal construction holds up to the toughest day-in, day-out use.

A snap to clean! Exclusive NSF listing.

The Easy Chopper™ National Sanitation Foundation (NSF) listing assures foodservice operators that the equipment is manufactured in compliance with the sanitation standards established by the NSF. These standards are both locally and internationally recognized.



- Height: 18"
- Depth: 8"
- Width: 8"
- Shipping Weight: 8 lbs.



Replacement parts available quickly through our NEMCO 24-hour Zip Program.

We reserve the right to make changes without notice in design, specifications and models.



www.thescaleshop.net

1-888-844-2031