

BOWL CUTTERS



MODEL K30

Bowl cutting produces as much as 15% higher finished product yield. Bowl cutting also allows the use of up to 30% more water and results in less shrinkage.

STANDARD

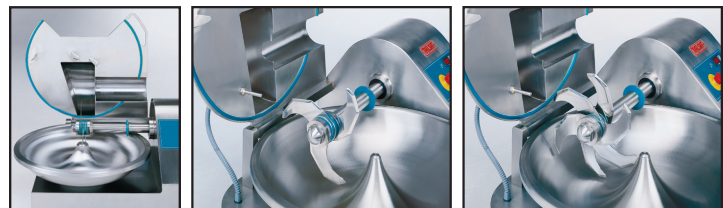
- Anti-noise lid.
- 3-knife head
- Digital thermometer
- 2 speed-variable speed control
- All stainless steel

OPTIONAL

- 6-knife head

SPECIFICATIONS

Model	K30
Bowl Volume	30 L / 8 gal
Mixture Bowl Capacity (approx.)	12 kg /26.4 lbs.
Total Horsepower	4.8/6.5 HP
Knife Speed	1700/3400 RPM
Bowl Speed	22/45 RPM
Electrical	220V/60/3
Weight	772 lbs.
Shipping Weight	891 lbs.
Dimensions (LWH)	36.6" x 40.5" x 44.5"
Shipping Dimensions	46" x 50" x 52"
Item #	10878

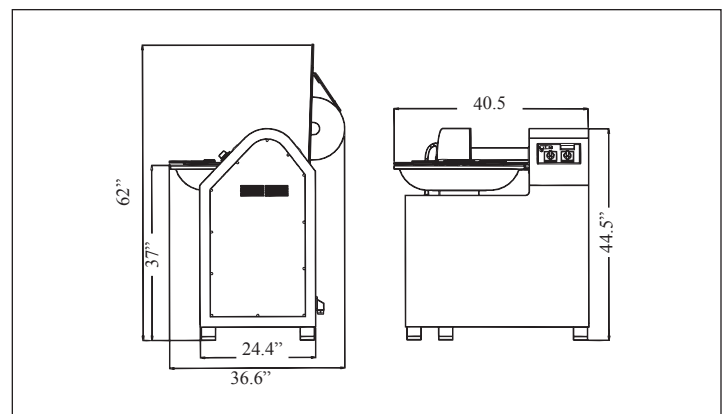


Front Lid

Standard

Optional

DIMENSIONS



www.thescaleshop.net

1-888-844-2031