

Load Cells/Weigh Modules

RL8000 HE

Stainless Steel, Hermetically Sealed, Rice Lake



Picture is a representation of actual product

This is the miniature version of the RL8500HE and features all of the same benefits. This innovative mounting assembly incorporates the load cell and mount into the same piece of hardware. The result is an extremely rugged, low-profile assembly that is capable of operating with very high performance levels in the worst of environmental conditions. This assembly is manufactured from stainless steel, and is hermetically sealed to prevent moisture intrusion. Since there is no bulky mounting hardware to deal with, the installation of the product is quick and easy. The capacity range on this version is 250 to 5,000 lb (113.4 to 2268.0 kg).

APPLICATIONS:

- Light- to medium-capacity tanks, bins and hoppers
- Chemical blending, batching and mixing
- Standard Features:
- Capacities from 250-5,000 lb (113.4-2268 kg)
- Stainless steel
- Hermetically sealed
- Low profile
- 300% compression overload protection
- Easy installation
- IP66/68

LOAD CELL CERTIFICATIONS:



Consult factory for FM
instrumentation assistance



www.thescaleshop.net

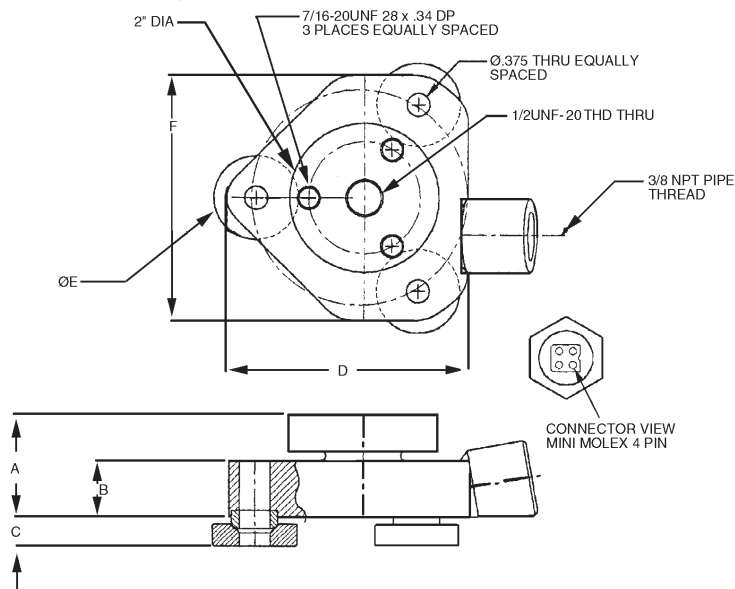
1-888-844-2031

RL8000 HE

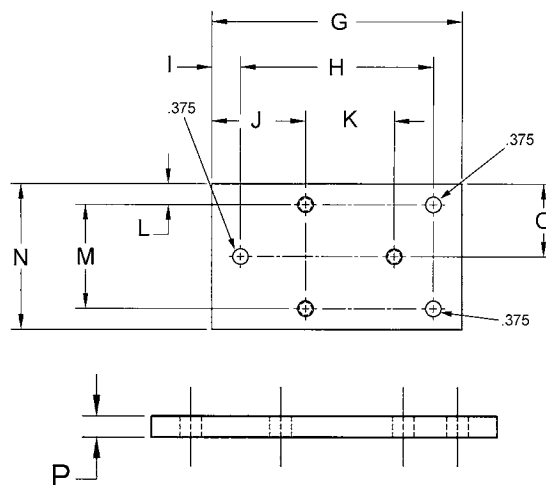
Stainless Steel, Hermetically Sealed, Rice Lake

DIMENSIONS

Rated Capacity	A	B	C	D	E	F	G	H	I	J	K	L	M	N	O	P
lb/inches																
250-5000	1.38	.75	.40	3.22	1.13	3.28	6.00	4.63	.69	2.25	2.12	.50	2.50	3.50	1.75	.36
kg/mm																
113.4-2268.0	35.1	19.1	10.2	81.8	28.7	83.3	152.4	117.6	17.5	57.2	53.9	12.7	63.5	88.9	44.5	9.3



Optional Base Plate Dimensions



SPECIFICATIONS:

Full Scale Output:	2.0 mV/V
Bridge Resistance:	1000 ohms, nominal with voltage applied
Material/Finish:	Stainless steel
Temperature:	Compensated range 0°F to 150°F/-18°C to 65°C
Safe Overload:	300% Full scale
Safe Sideload:	200% Full scale
Rated Excitation:	6-15V DC
Nonlinearity:	0.03% Full scale
Hysteresis:	0.03% Full scale
Insulation Resistance:	1000 megohms
Seal Type:	Hermetically sealed, IP66/68
Cable Length:	25'/7.6 m stainless steel overbraid
Cable Color Code:	Red..... + Excitation Black..... - Excitation Green..... + Signal White..... - Signal
Warranty:	Two-year limited warranty

RL8000 HE Order Information

Load Rating		Part #	Price
250 lb	(113.4 kg)	N/A	\$1,395.00
500 lb	(226.8 kg)	N/A	\$1,395.00
1000 lb	(453.6 kg)	N/A	\$1,395.00
2500 lb	(1134.0 kg)	N/A	\$1,395.00
5000 lb	(2268.0 kg)	N/A	\$1,395.00
*Mounting Hardware		N/A	\$45.00
*Cable		63121	\$395.00
Replacement Foot		65980	\$35.00
Optional base plate		N/A	Consult factory

*Add to RL8000HE price