

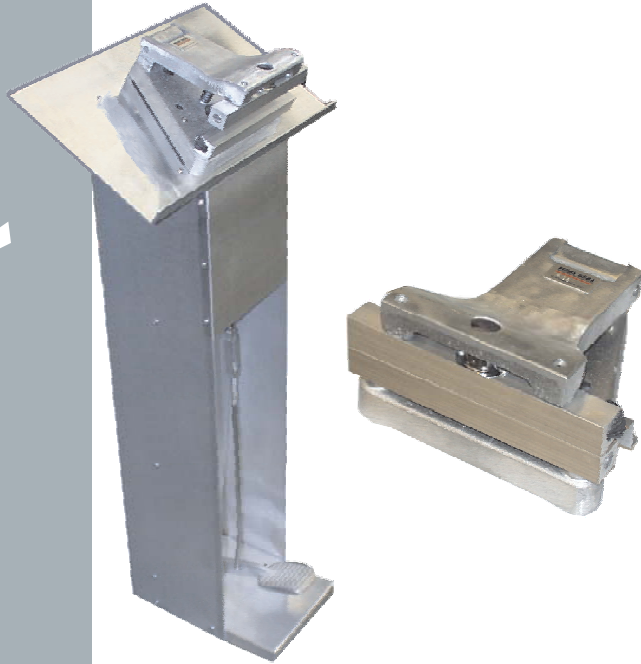
HEAT SEAL

®

PACKAGING SYSTEMS

MODEL P/C

CONSTANT HEAT JAW SEALER



Shown As: Model C with Model 4 Stand
Model P Table Top with Teflon Covered Jaws



**SIMPLE TO OPERATE AND PORTABLE
WITH MODEL 4 STAND**

Features of the P and C Jaw Sealer

- Standard 110 Volt Power Supply
- Constant Heat With Adjustable Temperature Control
- Temperature Range From 100° To 450° F (38° To 232° C)
- Standard On/Off Switch On The Power Cord
- Heavy Duty, All Aluminum Construction
- Serrated Or Flat Jaws Available In Sizes Up To 24"
- Teflon® Cover (Included On Model P Only)
- Foot Pedal Operation
- Standard Table Mounting With The Foot Pedal Bolted To The Floor
- Seals All Types Of Polyethylene, Polypropylene, Cellophane, Mylar And Other High Temp Bags

Specifications And Additional Features Of The Jaw Sealers

Power Requirements: **110 Volts, 5 Amps**

Wattage: **600 Watts**

Model P Jaw Sealers With Teflon Covered Jaws:

- Jaws For Sealing Polyethylene, Polypropylene, Similar Low Density Films And Bubble Pack Envelopes.

Model C Jaw Sealers With Flat Or Serrated Jaws:

- Jaws For Sealing Cellophane, Mylar And Other High Temperature Films. Seal Bars Available With Horizontal Or Vertical Serrated Jaws.

YOUR BEST CHOICE FOR ALL YOUR SEALING NEEDS

Specifications

MODEL	JAW SIZE	WEIGHT	MODEL	JAW SIZE	WEIGHT
P-8	8" (20 cm)	10 lbs. (4.5 kg)	C-8	8" (20 cm)	10 lbs. (4.5 kg)
P-10	10" (25 cm)	10 lbs. (4.5 kg)	C-10	10" (25 cm)	10 lbs. (4.5 kg)
P-12	12" (30 cm)	11 lbs. (4.9 kg)	C-12	12" (30 cm)	11 lbs. (4.9 kg)
P-14	14" (36 cm)	11 lbs. (4.9 kg)	C-14	14" (36 cm)	11 lbs. (4.9 kg)
P-16	16" (41 cm)	12 lbs. (5.4 kg)	C-16	16" (41 cm)	12 lbs. (5.4 kg)
P-18	18" (46 cm)	12 lbs. (5.4 kg)	C-18	18" (46 cm)	12 lbs. (5.4 kg)
P-24	24" (61 cm)	14 lbs. (6.4 kg)	C-24	24" (61 cm)	14 lbs. (6.4 kg)

Options

Available options:

- Model 4 Jaw Sealer Stand

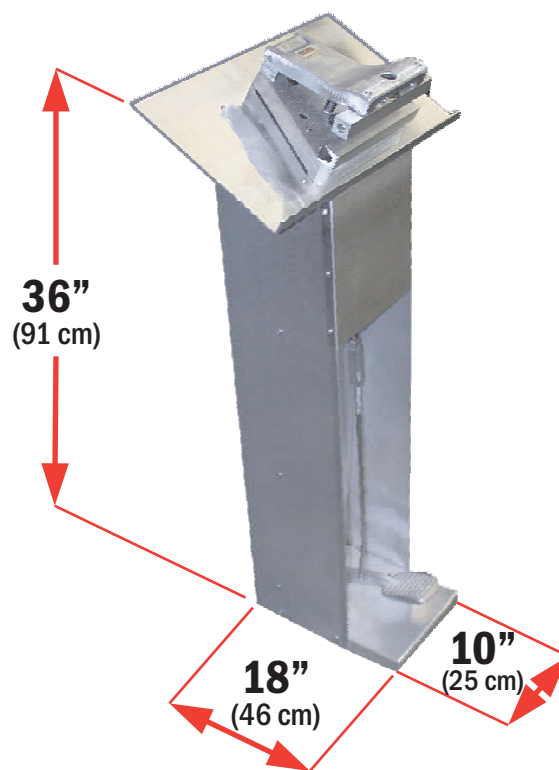
Foot operated, aluminum stand, compatible with all jaw sealer models and sizes.

Width: 10 ½" (27 cm)
 Depth: 18" (46 cm)
 Height: 36" (91 cm)
 Weight: 20 lbs. (9.1 kg)

- Teflon Cover (Model C)
- Jaw Guards

Footprint

(Dimensions are Edge to Edge and Floor to Edges)



www.thescaleshop.net

1-888-844-2031