



Known For Reliability For Over 89 Years

The Biro MINI-32 Mini Mixer Grinder makes it easier than ever to break away from the daily grind. Its 50 lb. capacity lets you grind only the amounts you need to keep the case full and still keep your grinds as fresh as possible. Now you can use the same grinder for all of your ground products without having to worry about cross contamination because the MINI-32 is so easy to clean. It's easy to disassemble, and all of the pieces are light so you can just carry all of them to the sink, wash them up, and go on to the next batch. When mounted on its specially designed cart the MINI-32 is ergonomic, so the operator doesn't have to lift a lug over their head or bend over to fill a tray. The 3 hp drive motor gives you the power you need to grind fresh ground meat, sausage, or poultry all day. So break away from the daily grind and keep your ground meat as fresh as possible with the Biro Model MINI-32.



SHOWN WITH OPTIONAL
EXTRA COST STAND

MINI-32



*Stands alone for quality
and value since 1921*

SPECIFICATIONS

MODEL MINI-32 MIXER GRINDER (MINI AUTOMATIC FEED).
CONSTRUCTION STAINLESS STEEL FRAME AND TUB, POLY CARBONATE LID, CAST IRON
HOT TIN DIPPED BOWL, RING AND AUGER, SIZE 32.

MOTORS

HP	KW	TYPE	VOLTS	AMPS	CYCLE	PHASE	STATUS
3	2.2	DP	208-230/460	11-9.6/4.8	60	3	STD
3	2.2	DP	200	12	60	3	EC

DP=DRIP PROOF STD=STANDARD EC=EXTRA COST
NC=NO CHARGE NA=NOT AVAILABLE

SWITCH WATERTIGHT MAGNETIC WITH THERMAL OVERLOAD AND UNDER VOLTAGE PROTECTION.

POWER CORD 10' 12-4 CORD WITH 4 PRONG TWIST LOCK 250 VOLT 20A PLUG.

CAPACITY HOPPER: UP TO 50 LBS. (23 KG).

GRINDING CAPACITY UP TO 68 LBS. (31 KG) PER MINUTE.

DRIVE SYSTEM DOUBLE REDUCTION GEAR BOX, BELT/CHAIN.

SAFETY MAGNETIC INTERLOCK ON TUB AND LID.

STANDARD NO INLET (SOLID TUB), REMOVABLE FOR EASIER CLEANING, SPURT GUARD, RING WRENCH,
OPERATING AND SAFETY MANUAL.

OPTIONS (EC) SIZE 32 KNIVES AND PLATES, GRINDER STAND WITH LOCKING SWIVEL CASTERS, PNEUMATIC
FOOTSWITCH, STAINLESS STEEL CASTERS, 200 VOLT MOTOR.

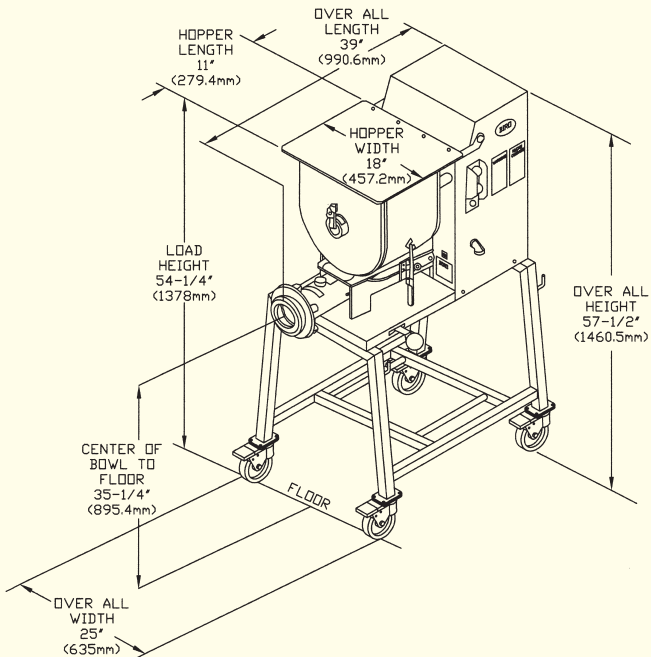
OPTIONS (NC) NA

CERTIFICATION U.L.

WEIGHT UNCRATED: 480 LBS. (195 KG) APPROXIMATE.

CRATED: 611 LBS. (277.7 KG) APPROXIMATE.

DIMENSIONS CRATED L = 48" (122 CM), W = 31" (78.7 CM), H = 60" (152.4 CM)



www.thescaleshop.net

1-888-844-2031

All specifications contained herein are subject to change without notification.