



## ***Known For Reliability For Over 88 Years***

With up to 180 slices per minute, the 109PC will raise your operation to a new level of productivity to help you lower labor costs and increase profits. Its advanced safety features prevent the operator from being exposed to a moving blade, which means fewer lost man hours and greater productivity. The specially curved blade slices the product instead of tearing it to increase your shelf life and reduce shrink and waste. The easy to use keypad with a nine program microprocessor lets you tailor the 109PC's operation to your requirements and reduce operator training requirements. The 109PC is versatile - it can cut any thickness from (just over) 1/16" (2.0 mm) to 30" (762 mm) and the 10" (254 mm) wide x 9" (228 mm) high chamber allows you to cut virtually any size sub-primal or processed meat. Because it is designed to be hosed down without disassembly, cleaning takes a minimal amount of time, freeing your operators for more productive tasks.



# 109PC



*Stands alone for quality  
and value since 1921*

## SPECIFICATIONS

**MODEL** 109PC HORIZONTAL SLICER.  
**CONSTRUCTION** STAINLESS STEEL FRAME AND PANELS. LEXAN CHAMBER LIDS.  
**ELECTRICAL** REQUIRES A GROUND LINE. A CERTIFIED ELECTRICIAN MUST VERIFY POWER SOURCE LINE VOLTAGE FOR PROPER OPERATION.

**MOTORS**

HP	KW	VOLTS	AMPS	STATUS
3	2.2	200-60-3	10.8	STD
3	2.2	208-60-3	10.4	STD
3	2.2	220-60-3	9.8	STD
3	2.2	230-60-3	9.4	STD
3	2.2	460-60-3	4.7	STD
3	2.2	220-50-3	8.6	STD
3	2.2	380-50-3	5.0	STD
3	2.2	415-50-3	4.6	STD

STD=STANDARD EC=EXTRA COST

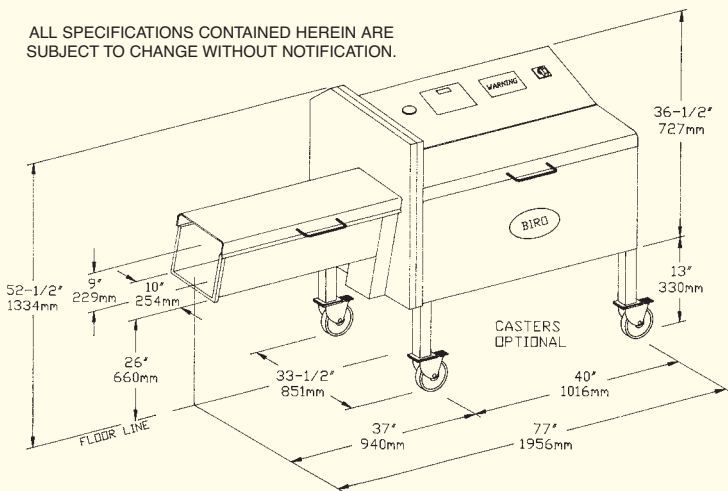
\*\* MUST SPECIFY EXACT VOLTAGE ON ORDER \*\*

**CHAMBER SIZE** 9" (228 MM) HIGH X 10" (254 MM) WIDE X 30" (762 MM) LONG. TEXTURED FINISHED STAINLESS STEEL.  
**PRODUCT** THE STEPPER MOTOR WILL ACCOMMODATE PUSHING 50 LBS. (22.6 KGS.) OF MEAT PRODUCT OR 30 LBS. (13.6 KGS.) OF CHEESE PRODUCT. MAXIMUM PRODUCT LENGTH 30" (762 MM).  
**SAFETY** MAGNETIC INTERLOCKS ON ALL DOORS, BRAKE MOTOR, LOCKING CASTERS, OSHA LOCKOUT POWER SWITCH.  
**BLADES** TWO BLADES SUPPLIED WITH EACH MACHINE. SMOOTH OR SERRATED BLADE, ONE ON THE MACHINE AND WHICHEVER YOU WANT EXTRA.  
**BLADE SPEED** UP TO 180 CUTS PER MINUTE FOR PRODUCT UP TO 1" (25.4 MM) THICK.  
**CONTROLLER** ELECTRONIC, SPLASH PROOF, USER FRIENDLY KEYPAD IN ENGLISH OR METRIC (TACTILE AND AUDIBLE), PROGRAMMABLE UP TO 7 PROGRAMS, AUTOMATIC TRANSPORT RETURN.  
**CONVEYOR (EC)** 10" (254 MM) WIDE TAKE AWAY CONVEYOR VARIABLE SPEED FROM 0-55 FT. PER MINUTE, INDEPENDENT ON-OFF SWITCH, WHITE FOOD GRADE REMOVABLE BELT.  
**CUT THICKNESS** 1/16" PLUS (2.0 MM) MINIMUM, 30" (762 MM) MAXIMUM.  
**CERTIFICATION** U.L., N.S.F., U.S.D.A.  
**OPTIONS (EC)** 9" OR 11" LEG EXTENSION, SS CASTERS, CONVEYOR HEIGHT FROM THE FLOOR LINE IS 27" (676 MM), ADJUSTABLE TO 29" (737 MM) OR 31" (787 MM), PROTECTIVE BLADE SHEATH CARRYING CASE, DISPLAY BOARD COVER.  
**WEIGHT** UNCRATED: 660 LBS. (299 KG) APPROXIMATE.  
 CRATED: 1015 LBS. (460 KG) APPROXIMATE.  
**DIMENSIONS CRATED** L = 85" (2160 MM), W = 40" (1016 MM), H = 59" (1498 MM).



109PC WITH CONVEYOR

ALL SPECIFICATIONS CONTAINED HEREIN ARE SUBJECT TO CHANGE WITHOUT NOTIFICATION.



[www.thescaleshop.net](http://www.thescaleshop.net)

1-888-844-2031