

BOWL CUTTERS



MODEL K15

Bowl cutting produces as much as 15% higher finished product yield. Bowl cutting also allows the use of up to 30% more water and results in less shrinkage.

STANDARD

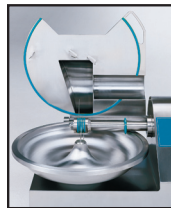
- Anti-noise lid.
- 3-knife head
- Digital thermometer
- 2 speed-variable speed control
- All stainless steel

OPTIONAL

- 6-knife head
- Single phase motor (1 speed-2.5 HP)

SPECIFICATIONS

Model	K15
Bowl Volume	15 L / 4 gal
Mixture Bowl Capacity (approx.)	12 kg./26.4 lbs.
Total Horsepower	2.1/2.7 HP
Knife Speed	1700/3400 RPM
Bowl Speed	22/45 RPM
Electrical	220V/60/3
Weight	441 lbs.
Shipping Weight	500 lbs.
Dimensions (LWH)	29.5" x 34.25" x 21.6"
Shipping Dimensions	40" x 31" x 30"
Item #	10875



Front Lid

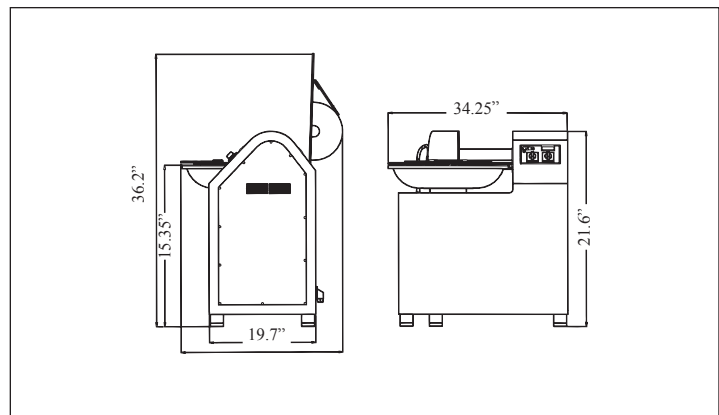


Standard



Optional

DIMENSIONS



www.thescaleshop.net

1-888-844-2031