

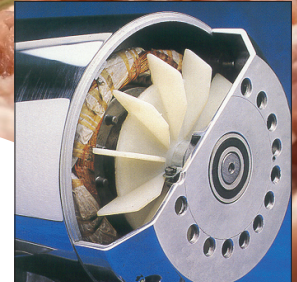
MEAT GRINDERS



Model FTS12



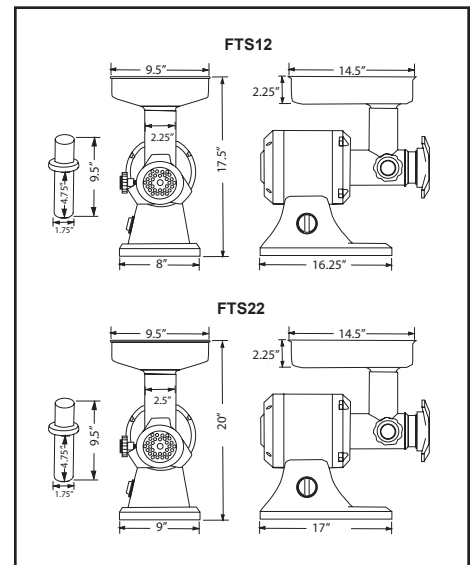
Model FTS22



Model FTS 12 Model FTS22

With proven dependability, these grinders offer a great value. Manufactured with polished aluminium body and stainless steel hopper. They come with 3/16 plates and knives. The FTS-12 and FTS-22 are ideally suited for restaurants or small butcher operations. Made in Italy.

| Model | FTS 12 | FTS 22 |
|--------------------|----------------------|---------------------|
| Horsepower | 1.0 HP | 1.5 HP |
| RPM | 140 | 90 |
| Throat Opening | 2" | 2.25" |
| Electrical | 110V/60/1 | 110V/60/1 |
| Weight | 42 lbs. | 50 lbs. |
| Shipping Weight | 43 lbs. | 54.5 lbs. |
| Dimension (LWH) | 16.25" x 8" x 17.5" | 17" x 9" x 20" |
| Shipping Dimension | 17.5" x 9.5" x 17.5" | 19.5" x 12" x 20.5" |
| Item # | 11051 | 11053 |



www.thescaleshop.net

1-888-844-2031