



*Stainless Mount shown
with RL75016 WHE load cell*

RL1600 Weigh Module

light- to medium-capacity mount assembly

- Tanks
- Bins
- Hoppers

RICE LAKE WEIGHING SYSTEMS

Industrial Solutions on a Global Scale®

RL1600 light- to medium-capacity mount assembly



The RL1600 Series Weigh Module is ideally suited for a variety of applications including batching, mixing, blending, general weighing and inventory control.

Available in cast iron, mild steel, and stainless steel construction, the RL1600 series weigh modules provide accuracy, consistency, and durability in capacities ranging from 1000 lb to 75,000 lb per module.

For a complete solution, kits are available including load cells, mounting assemblies, cable, and junction box. Choose from various analog junction boxes or iQUBE™—an intelligent, non-proprietary digital diagnostic junction box. iQUBE provides simplified calibration, diagnostics, numerous connectivity solutions and enhanced electrical overload protection.

Standard Features:

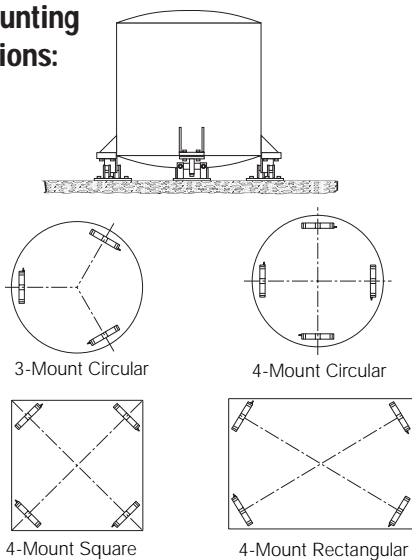
- Cast iron construction—capacities per assembly: 1000 lb-25,000 lb
- Mild steel and stainless steel construction—capacities per assembly: 1000 lb-75,000 lb
- Low-profile bolt-in-place design minimizes installation time
- Self-checking movement allows for thermal expansion/contraction and lift-off protection, eliminating external hardware



Options:

- RL75016 tool steel or RL75016SS stainless steel environmentally-protected load cell
- RL75016 WHE stainless steel, hermetically-sealed load cells
- Vishay Sensortronics 65016 tool steel or 65016W stainless steel load cells
- iQUBE digital diagnostic junction box

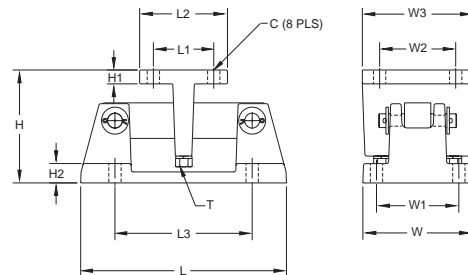
Typical Mounting Configurations:



Vertical & Horizontal Vessel Arrangements

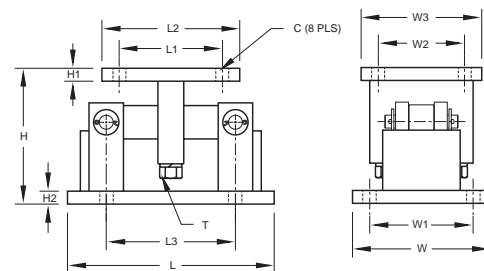
Capacities/Dimensions:

Cast Iron Construction—capacities per assembly: 1000 lb, 1500 lb, 2000 lb, 2500 lb, 3000 lb, 5000 lb, 10,000 lb, 15,000 lb, 20,000 lb, 25,000 lb



Fabricated Mild Steel Construction—capacities per assembly: 1000 lb, 1500 lb, 2000 lb, 2500 lb, 3000 lb, 5000 lb, 10,000 lb, 15,000 lb, 20,000 lb, 25,000 lb, 50,000 lb, 75,000 lb

Stainless Steel Construction—capacities per assembly: 1000 lb, 1500 lb, 2000 lb, 2500 lb, 5000 lb, 10,000 lb, 15,000 lb, 20,000 lb, 25,000 lb, 50,000 lb, 75,000 lb



Dimensions 1000 lb-5000 lb* (454 kg-2268 kg) 10,000 lb-25,000 lb (4536 kg-11,340 kg) 50,000 lb-75,000 lb† (22,680 kg-34,020 kg)

| Dimensions Inches (mm) | 1000 lb-5000 lb* (454 kg-2268 kg) | 10,000 lb-25,000 lb (4536 kg-11,340 kg) | 50,000 lb-75,000 lb† (22,680 kg-34,020 kg) |
|---------------------------|--------------------------------------|--|---|
| C | .56 (15.8) | .78 (19.8) | .78 (19.8) |
| H | 5.00 (127.0) | 7.89 (199.9) | 9.31 (236.5) |
| H1 | .50 (12.7) | .75 (19.1) | 1.00 (25.4) |
| H2 | .50 (12.7) | .75 (19.1) | 1.00 (25.4) |
| L | 9.25 (235.0) | 12.00 (304.8) | 16.25 (412.8) |
| L1 | 2.75 (69.9) | 6.00 (152.4) | 6.50 (165.1) |
| L2 | 4.00 (101.6) | 8.00 (203.2) | 9.00 (228.6) |
| L3 | 6.25 (158.8) | 7.50 (190.5) | 11.50 (292.1) |
| T | 1/2-13 UNC | 3/4-10 UNC | 1 1/4-7 UNC |
| W | 5.00 (127.0) | 8.00 (203.2) | 12.00 (304.8) |
| W1 | 3.75 (95.3) | 6.00 (152.4) | 9.50 (241.3) |
| W2 | 2.75 (69.9) | 6.00 (152.4) | 6.50 (165.1) |
| W3 | 4.00 (101.6) | 8.00 (203.2) | 9.00 (228.6) |

* Stainless steel load cell not available in the 3000 lb capacity.
† Fabricated mild steel and stainless steel construction only.



www.thescaleshop.net

1-888-844-2031