



Magna Mount[®]

heavy capacity mount assembly

- Truck Scales
- Railroad Track Scales
- Tanks and Hoppers

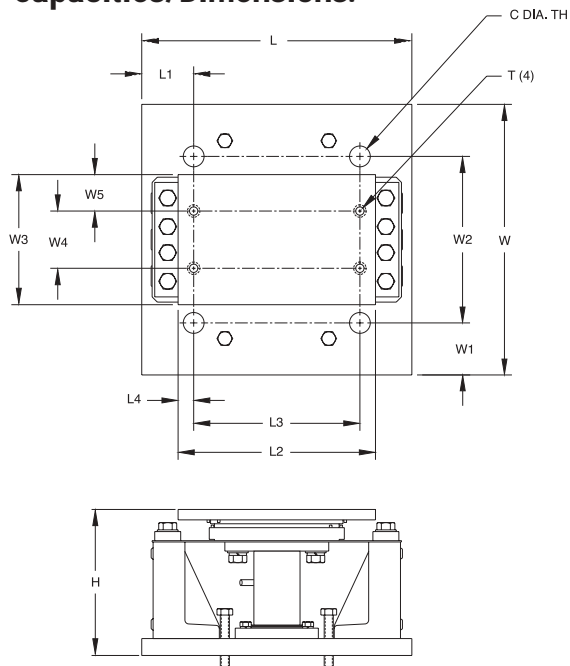
MagnaMount[®] tank, truck and railroad track mount assembly



The MagnaMount is a uniquely designed mounting assembly for high reliability and accuracy in heavy-capacity truck, railroad track, and tank weighing applications. An exceptional “shielded cell” design protects the load cell from shock and side loading, providing accurate weighing under adverse loading conditions.

The low-profile MagnaMount is compatible with Rice Lake Weighing Systems’ RLCSP1, Revere Transducers’ CP and CSP compression canister load cells, in capacities of 50,000 lb, 100,000 lb, and 200,000 lb per assembly. Choose from various analog junction boxes or iQUBE™ —an intelligent, non-proprietary digital diagnostic junction box. iQUBE provides simplified calibration, diagnostics, numerous connectivity solutions and enhanced electrical transient protection.

Capacities/Dimensions:



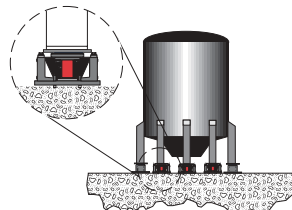
Standard Features:

- Capacities per assembly: 50,000 lb, 100,000 lb and 200,000 lb
- Protection from shock and side loads
- Teflon[®]-coated load plates offer freedom of movement for greater repeatability

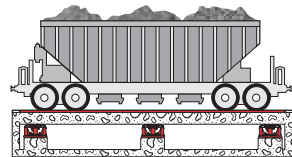
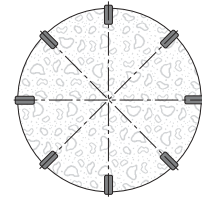


Options

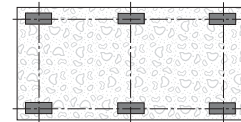
- Available with RLWS RLCSP, RTI CP1 and CSP load cells
- iQUBE digital diagnostic junction box



Large Vertical Vessel (8-mount cylindrical)



Vessel, Truck and Railroad (6-mount arrangement)



	50,000 lb	100,000 lb	200,000 lb
	inches/mm	inches/mm	inches/mm
C	1.25/31.8	1.50/38.1	2.00/50.8
H	7.39/187.7	11.29/286.8	14.10/358.1
L	13.00/330.2	20.00/508.0	26.00/660.4
L1	1.75/44.5	2.50/63.5	5.00/127.0
L2	11.25/285.8	18.00/457.2	19.00/482.6
L3	8.50/241.3	15.50/393.7	16.00/406.4
L4	1.37/34.8	1.25/31.8	1.5/38.1
T	3/4-10 UNC	7/8-9 UNC	1-8 UNC
W	12.00/304.8	17.00/431.8	26.00/660.4
W1	1.75/44.5	2.50/63.5	5.00/127.0
W2	8.50/215.9	12.00/304.8	16.00/406.4
W3	8.00/203.2	9.00/228.6	12.50/317.5
W4	4.50/114.3	5.50/139.7	5.50/139.7
W5	1.75/44.5	1.75/44.5	3.50/88.9



www.thescaleshop.net

1-888-844-2031