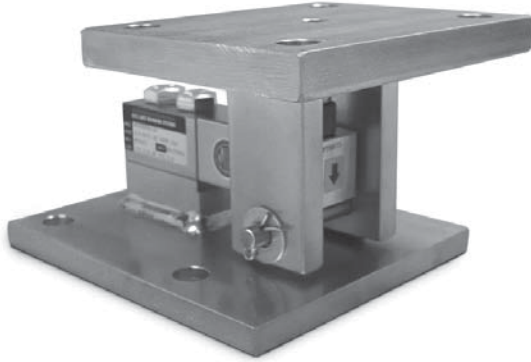


RLBTM

Mild Steel/Stainless Steel Weigh Modules



Does not include load cell.

Picture is a representation of actual product

Weigh Modules

The RLBTM mount was specifically created to take advantage of the improved load introduction accuracy of the ball and cup design. This multi-purpose mount is ideal for both indoor and outdoor applications, and can be used with a variety of single-ended beam load cells. Available in both mild and stainless steel. This product offers superior accuracy at an affordable price. These assemblies are also quick and easy to install, making the RLBTM the perfect choice for your low-capacity, multi-purpose weighing needs.

APPLICATIONS:

- Light-to medium-capacity tanks and hoppers
- Conveyors

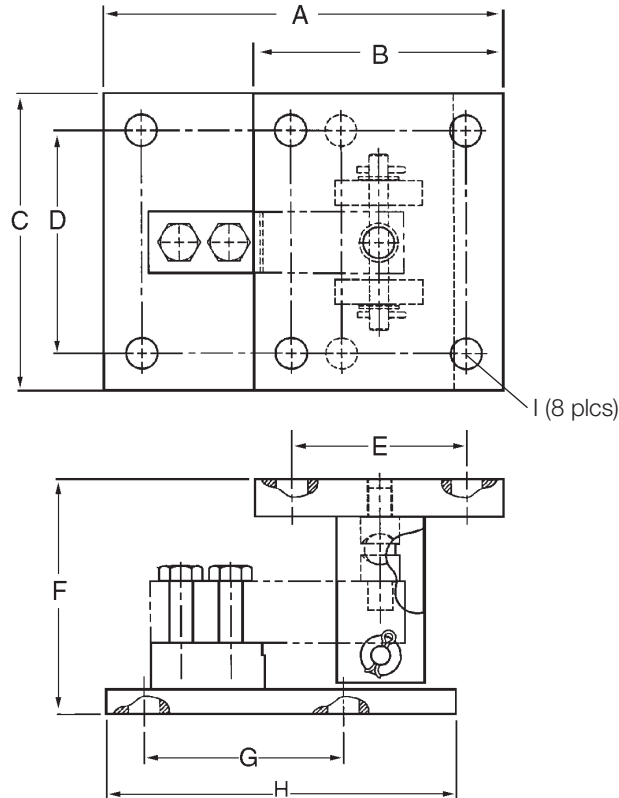
STANDARD FEATURES:

- Capacities (per module): 500-5,000 lb SE mild steel/1,000-4,000 lb stainless steel
- Zinc plated mild steel construction or stainless steel
- Ball and cup load introduction
- Self-checking, multi-directional movement
- Design incorporates a ball and cup for self centering
- The RLBTM will accommodate a standard shear beam 500 lb-5,000 lb SE load cell that has a threaded load hole. RL30000 (see page 110), RL39123 (see page 112), RL35023 (see page 115), RL35082 (see page 118), RL35083 (see page 117).

WEIGH MODULES TANK AND HOPPER KITS

DIMENSIONS

Rated Capacity	A	B	C	D	E	F	G	H	I
lb/inches									
250-5000 SE	8.00	5.00	6.00	4.50	3.50	4.75	4.00	7.00	.63
kg/mm									
113.4/2268.0	203.2	127	152.4	114.3	88.9	120.6	101.6	177.8	16.0



Weigh Modules

RLBTM Mild Steel Order Information

*Load Rating (Load Cell Capacity)	Part #	Price
Single Module (Does NOT Include Load Cell)		
500 lb -5,000 lb SE (113.4-2268.0 kg)	53059	Consult

SE refers to small envelope

* Load Rating is per module

RLBTM Stainless Steel Order Information

*Load Rating (Load Cell Capacity)	Part #	Price
Single Module (Does NOT Include Load Cell)		
1,000-4,000 lb (453.6-1814.4 kg)	53066	Consult



www.thescaleshop.net

1-888-844-2031