

MSI-150-01 Sky-Weigh Specifications Aerospatiale SA332

The MSI-150 Sky-Weigh cargo hook load monitoring system is available for virtually every make and model lifting helicopter. Each system is unique to its respective model aircraft. FAA supplemental type certification is available on most systems while others are pending initial installation and application approval.

THE MSI SYSTEM

The MSI-150 system consists of a "cargo hook compatible" load sensor, digital indicator and interface cables. Complete installation and FAA docu-

mentation is included with each system. An optional pilot controlled MSI-150XP thermal tape printer is available for recording load data.

The MSI-150XM digital indicator is microprocessor based for maximum precision and performance in any lifting operation. A liquid crystal digital display allows exact load readings without parallax errors even in direct sunlight. Loads may be displayed in pounds or kilograms. Three levels of digital filtering provide stable readings under the most adverse load condi-

tions. Push button controls for Zero and Test are front panel mounted for easy operation. A full function pre-flight test routine assures reliable and accurate system performance and safe operations. The indicator's compact and environmentally sealed enclosure requires minimum space for easy installation.

Night Vision Goggle compatibility and customized options are available for both military and commercial applications. Please contact our factory with your specific requirements.

SYSTEM SPECIFICATIONS

Digital Indicator

Display: 4-1/2 digit .35 in./8.9 mm high LCD with backlighting
Resolution: 10 lbs./10 kgs
Power: 24-32 VDC
Functions: Push button TEST, ZERO, LBS/KG
Dimensions: See diagram
Weight: 12 oz./340 g
Operating Temperature:
 -4° F (-20° C) to 140° F (+60° C)

Load Sensor

Accuracy: Typically 0.1-1.0% over compensated temperature range and dependent on model configuration
Overload: 200% safe
 500% ultimate
Dimensions: See diagram
Weight: Contact factory
Operating Temperature:
 -4° F (-20° C) to 140° F (+60° C)

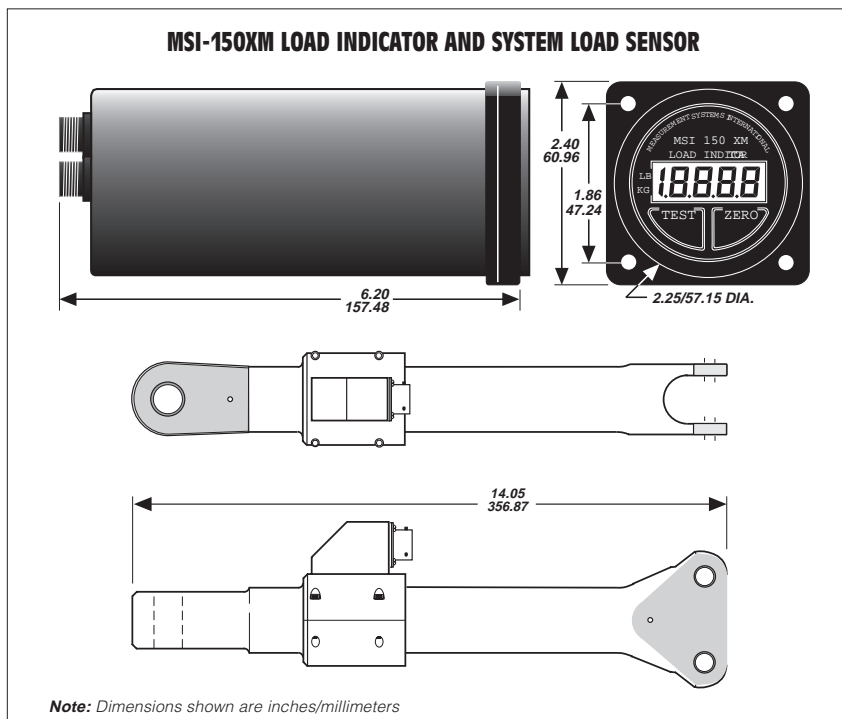
SYSTEM OPTIONS

- Thermal Tape Printer (see MSI-150XP specifications)
- NVG display (contact factory for specifications)
- Display analog output

WARRANTY

Load sensor and indicator - 1 Year
 Interface cables - 90 days

Specifications subject to change without notice.



SYSTEM MODEL AND COMPONENT PART NUMBERS							
AIRCRAFT MODEL	HOOK MFG/MODEL	SYSTEM MODEL	SYSTEM PART NO.	INDICATOR PART NO.	LOAD SENSOR PART NO.	INTERFACE CABLES PART NO. INTERNAL	EXTERNAL
SA332	ERC/SIREN	MSI-150-01	Contact Factory	D00448-0003	D00455-0001*		
					*Customer furnished part		