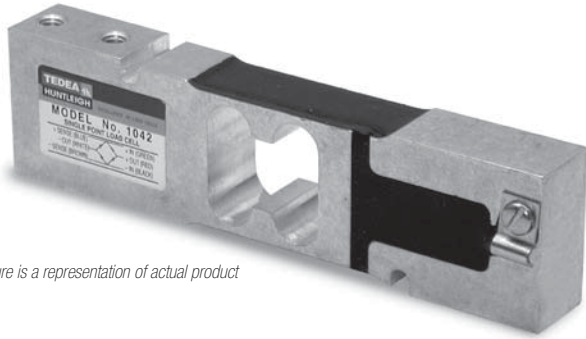


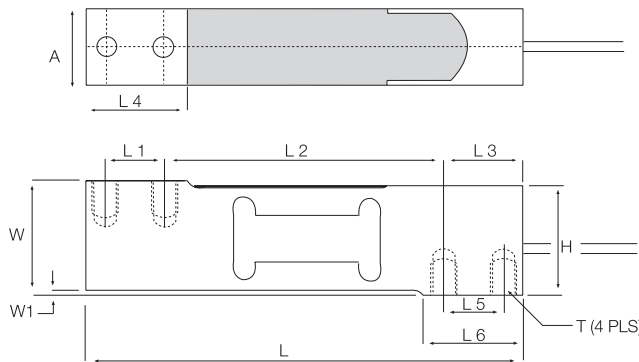
1042S Single Point, Aluminum

NTEP 1:7500 Class III Single Cell

Teda-Huntleigh



Picture is a representation of actual product



SPECIFICATIONS:

Full Scale Output:	2.0 mV/V
Bridge Resistance:	350 ohms, nominal
Material/Finish:	Aluminum
Temperature:	Compensated temperature range 14°F to 104°F/-10°C to 40°C
Safe Overload:	150% Full scale
Rated Excitation:	10V DC (15V maximum)
Total Error:	0.02% Full scale
Deflection at Capacity:	1-100kg ≤ .4 mm/.015"
Insulation Resistance:	5000 megohms
Seal Type:	Environmentally sealed
Cable Length:	3.1 m/10'
Cable Diameter:	.200 PVC jacket
Cable Color Code:	Green + Excitation Black - Excitation Blue + Sense Brown - Sense Red + Signal White - Signal
Warranty:	One-year limited warranty
Platform size:	16" x 16"
Approvals:	



DIMENSIONS

Rated Capacity	A	H	L	L1	I2	I3	L4	L5	I6	W	W1	T
kg/mm												
20-30	20.0	39	150.0	19.0	100.0	25.0	34.0	19.0	34.0	40.0	1.0	1/4-20 UNC-2B
50-100	25.2	39	150.0	19.0	100.0	25.0	34.0	19.0	34.0	40.0	1.0	1/4-20 UNC-2B
lb/inches												
22.0-66.1	.787	1.54	5.91	.75	3.937	.984	1.339	.75	1.339	1.575	.040	1/4-20 UNC-2B
110.2-220.5	.992	1.54	5.91	.75	3.937	.984	1.339	.75	1.339	1.575	.040	1/4-20 UNC-2B

1042S Order Information

Load Rating	Part #	Price
20 kg (44.1 lb)	76427	Consult
30 kg (66.1 lb)	76428	Consult
50 kg (110.2 lb)	76429	Consult
75 kg (165.4 lb)	76430	Consult
100 kg (220.5 lb)	76431	Consult



www.thescaleshop.net

1-888-844-2031